

# Variable Speed Limit Sign (VSLs)

Powered by SWARCO



Cabinets  
Controllers  
Signals  
**Signs**  
Software  
Specialty

## Overview

McCain's Variable Speed Limit Sign (VSLs), powered by SWARCO, allows agencies to adjust the speed limit in response to current road and traffic conditions, such as heavy traffic or adverse weather. Decreasing the risk associated with driving at speeds higher than appropriate in these types of conditions can improve traffic flow and safety.

## Benefits

- Improve safety and traffic flow by adjusting speed limits in less than ideal conditions
- Clear visibility and color uniformity from any angle with unrivaled contrast ratios
- Meets or exceeds NTCIP and NEMA TS 4 standards
- Fully programmable
- All control equipment is internally housed
- Ultra-bright, full-color LEDs
- Schedule for Day of Week, Month of Year, or any specific date(s)

## Product Description

McCain Variable Speed Limit Signs display two-digit speed limits using 18" or 22" tall numerals. Built to McCain's high-quality standards, these signs are ideal for permanent or temporary installation, as they will withstand wide temperature and humidity ranges as well as winds and other harsh weather conditions.

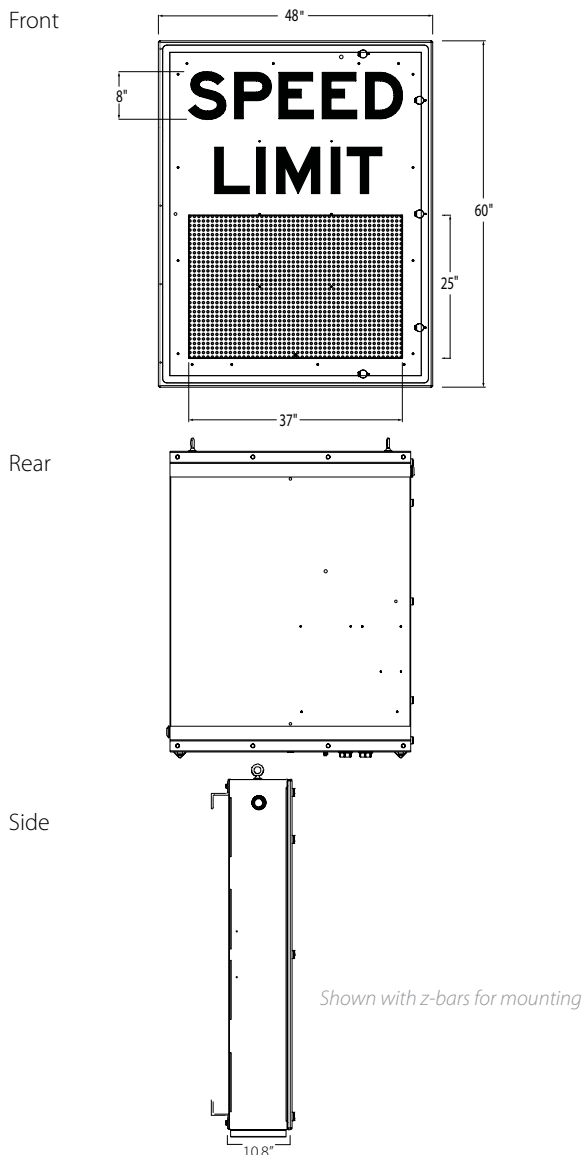
The signs are fully NTCIP-compliant. Up to 14 schedules can be accommodated with up to 16 events per schedule and 32 customizable events.

McCain's VSL sign is the perfect addition to your overall intelligent transportation system and can improve traffic flow and safety in your jurisdiction.

# Variable Speed Limit Sign

## Standard Features

- NTCIP and NEMA TS 4 standards compliant
- 100 sign brightness levels under software or photocell control
- Message is clearly visible when on and concealed when off
- Internally-housed controller
- All electronic assemblies are conformal coated for operation in harsh environmental conditions
- Compatible with flashing beacon systems
- Front and rear photocells
- Door contact switch
- 2 x 120 VAC utility outlets inside sign housing
- Optional RGB graphics support



## Software Features

- Fully customizable
- Runs up to 14 schedules
- Schedules for Day of Week, Month of Year, or specific dates
- Day plan with up to 16 events per schedule
- Select from 32 customizable day plans
- Control the minute and hour of every event
- Sign schedule control via override, local, or central control
- Ethernet and RS232 serial communication

## General Specifications

Sign Dimensions:	60" H x 48" W x 10" D
Display Dimensions:	32 pixels high X 48 pixels wide
Enclosure:	Material: 5052-H32 aluminum Finish: Display face is black, rest of face is retroreflective material
Access:	Front
Display Technology:	RGB LED with SWARCO 3G6 or 3G7 lens
Pixel Size & Spacing:	20 mm
Pixel Inclination (half angle):	3G6 optics: $\pm 15.5^\circ$ 3G7 optics: $\pm 31^\circ$
"SPEED LIMIT"	FHWA Series E, 8" UC
Display Font:	McCain MUTCD Series "E"
Character Height:	18" or 22"
Power:	120 VAC supply
Typical Power:	17W
Max Power:	54W
Environment:	Operating Temperature: $-37^\circ\text{C}$ to $+74^\circ\text{C}$ Humidity: 0 to 95% (non-condensing)
Weight:	197 lbs

## Options

- V12440 31° Viewing angle
- V12440-3G7 62° Viewing angle

To learn more about  
McCain's Integrated Traffic  
Solutions, please contact  
[info@mccain-inc.com](mailto:info@mccain-inc.com) or  
call (760) 727-8100



2365 OAK RIDGE WAY // VISTA, CALIFORNIA 92081 // USA // [WWW.MCCAIN-INC.COM](http://WWW.MCCAIN-INC.COM)

© 2018 McCain Inc. Updated 04/26/18. McCain reserves the right to change product specifications without notice.  
For the most up-to-date information, please contact McCain.