

# HAWK Traffic Signal

12" Diameter  
Aluminum  
Polycarbonate



Shown in black without backplate

Cabinets  
Controllers  
**Signals**  
Signs  
Software  
Specialty

## Overview

McCain's HAWK (High-Intensity Activated CrossWalk Beacon) Traffic Signals quickly alert drivers to pedestrian presence at a mid-block pedestrian crossing by demonstrating a flashing-amber to stationary-red sequence. Pedestrian activated HAWK signals only stop traffic as needed allowing for longer periods of uninterrupted traffic flow. The housings are compliant with multiple agency standards including the Institute of Transportation Engineers (ITE), Caltrans, and most state Departments of Transportation (DOTs). McCain offers these signal assemblies with a wide range of mounting options and accessories, including backplates and visors to meet your traffic signal requirements.

## Benefits

- Increases pedestrian safety
- Alerts drivers to pedestrian presence
- Creates safer mid-block pedestrian crossings without the need for a traditional intersection
- Fabricated from aluminum or polycarbonate with 10% fiberglass reinforcement (available without fiberglass reinforcement)
- Provides protection from elements with weathertight doors

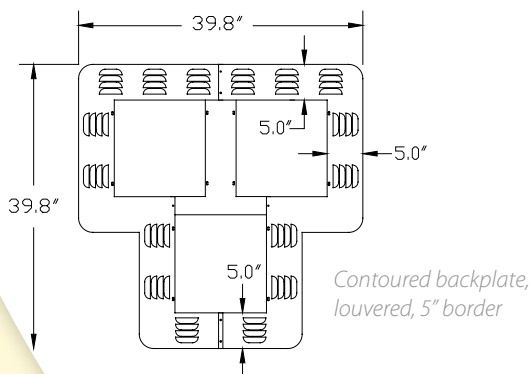
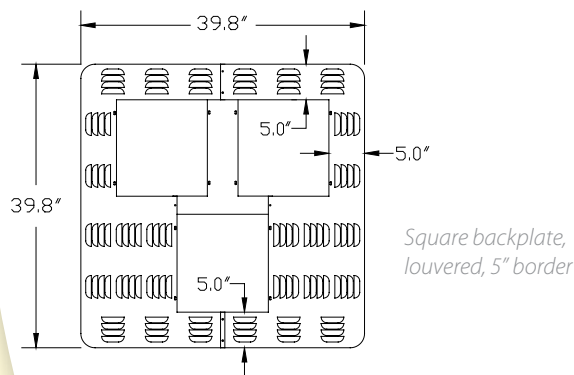
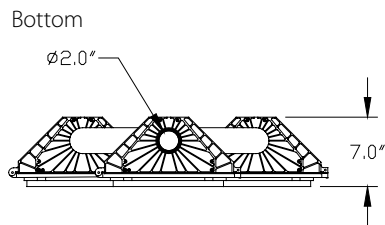
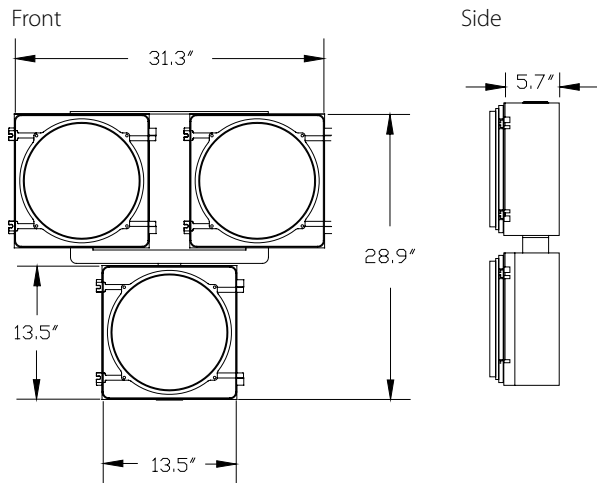
## Product Description

These McCain HAWK Traffic Signal Housings are fabricated from either cast, one-piece aluminum or polycarbonate and mounted in a three-section HAWK configuration. Reinforcement ribs and serrated ports, both top and bottom of each housing, provide strength and positive locking with other sections and mounting hardware.

Positive latching of doors is achieved with stainless steel eyebolts and wing nut assemblies, and the doors feature four metal threaded inserts for visor attachment. A positive seal is assured with an E.P.D.M. rubber gasket creating a moisture-free and dust-tight atmosphere.

Hardware and terminal block location are customizable.

# HAWK Traffic Signal



Dimensions are rounded to nearest 0.1"

Backplates sold separately

## Standard Features

- One-piece, injection molded or cast
- 72-tooth serrated boss and reinforcing ribs, top and bottom
- Brass threaded inserts for visor attachment (4)
- Housings have a cast boss for mounting a 5 or 6-position terminal block; one side of terminal block with fast-on terminals, the other side with screw terminals
- The words red, amber, and green are cast next to each boss to identify light source lead wires
- 5 or 6-position terminal block installed in center section (1) (alternate mounting is available)
- Stainless steel door roll pins and eye bolt/wing nut assemblies
- Integral lugs on the housing and doors with stainless steel roll pins provide effective door hinges
- Weathertight E.P.D.M. rubber door gasket
- Aluminum and polycarbonate housings can be mixed in one signal head

## General Specifications

Dimensions: 28.9" H x 31.3" W x 7.0" D  
(w/o backplate)

Material: Polycarbonate: Ultraviolet and heat stabilized, flame retardant, permanently colored, 10% fiberglass reinforcement  
Aluminum: Type 360, reduced corrosion, increased powder coat adhesion

Finish(es): Polycarbonate: Colored resins integral to housing  
Aluminum: Powder coated

Color(s): Federal yellow, signal green, black, or custom colors

Mounting: 2.0" hole top and bottom fits 1.5" NPT fittings

Environmental: Operating temperature: -37° C to +74° C  
Humidity: 0 to 95% (non-condensing)

Shipping Weight: Polycarbonate: 13 lbs  
(empty, HAWK) Aluminum: 23 lbs

## Options

- Fiberglass-free polycarbonate
- Location, quantity, and type of terminal blocks
- Door mounting hardware: Push pin (removable) or roll pin (permanent)
- Visors
- Backplates: louvered, non-louvered, 5" or 8" border, contoured or squared shape, reflective tape, flanged
- Mounting: Various framework including plumbizer
- Light Source: LED or incandescent

To learn more about McCain's Integrated Traffic Solutions, please contact [info@mccain-inc.com](mailto:info@mccain-inc.com) or call (760) 727-8100

**McCain**<sup>®</sup>

2365 OAK RIDGE WAY // VISTA, CALIFORNIA 92081 // USA // WWW.MCCAIN-INC.COM

© 2016 McCain Inc. Updated 12/20/16. McCain reserves the right to change product specifications without notice. For the most up-to-date information, please contact McCain.