

333 Communications Hub Cabinet

Cabinets

Controllers

Signals

Signs

Software

Specialty



Overview

McCain's 333 Communications Hub Cabinet is custom designed to meet the growing demands of modern communications connections and control. This cabinet is ideal for a variety of Ethernet, optic, cable, or hard-wire communications applications. Another benefit of the 333 Communications Cabinet is that it allows NEMA "P" cabinet users to easily switch to a 170 or 2070 style cabinet without changing the existing NEMA "P" cabinet foundation. Since its release, the 333 Communications Cabinet cabinet has been enthusiastically accepted by traffic agencies for their specialty communications specifications and joins McCain's comprehensive product line currently installed in intersections worldwide.

Benefits

- Standard assemblies assure interchangeability between manufacturers
- Large cabinet size and a 19" EIA rack provides ample space for ten 50-pair punch blocks, controllers, and other assemblies
- Double doors (front and back) provide easy access to the cabinet's large interior
- Compatible with NEMA "P" cabinet foundations

Product Description

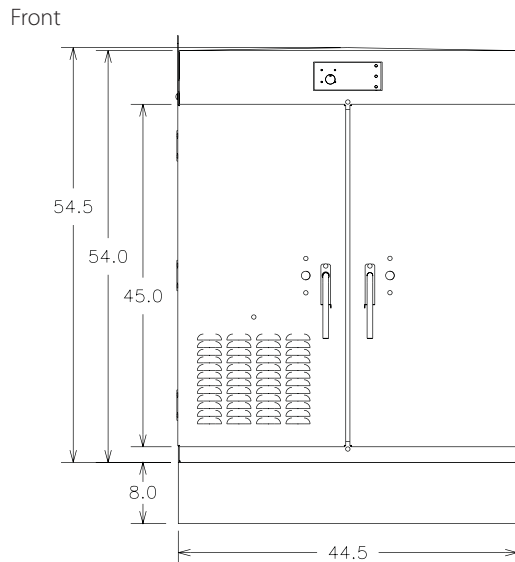
The McCain 333 Communications Hub Cabinet is designed to house ten 50-pair punch blocks for Category 5e high-performance cable, as well as accommodate both the 170 or 2070 controllers and other cabinet assemblies and still maintain the footprint of the NEMA "P" cabinet.

The 333 Communications Cabinet multipurpose, modular design can be configured to meet Ethernet and CCTV applications requirements as well as use as a fiber hub or hard-wire interconnect.

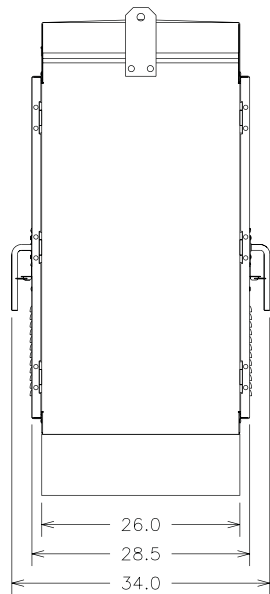
The cabinet's removable dual 19-inch Electronics Industry Alliance (EIA) racks and spacious interior also provides ample room for communications equipment, Ethernet equipment, fiber optic trays and assemblies, controllers, and additional subassemblies. The removable nature of the racks enhances ease of maintenance and interchangeability.

The 333 Communications Cabinet's aluminum exterior and various finishes increase its durability in dynamic weather conditions.

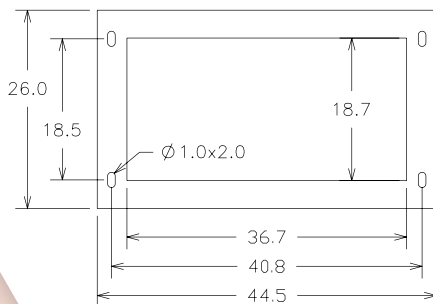
333 Communications Hub Cabinet



Front



Side



Base

Dimensions rounded to the nearest 0.1"

Standard Features

- 50-pair punch blocks (10) for Category 5e, high-performance cable (terminates 22-26 AWG solid insulated cable or 18-19 AWG solid stripped cable)
- Duplex receptacle
- Duplex GFI receptacle
- Circuit breaker, 30A, cabinet
- Circuit breaker, 15A, GFI
- Equipment ground bus bars, copper, 15-position (2)
- AC neutral bus bar, copper, 15-position
- Field-termination power terminal block
- Fluorescent cabinet light with door switch
- Ventilation fans, thermostat, louvered vents & pleated filters (2 each)
- Cabinet heater (75W) and thermostat
- 8" riser

Assemblies

- Punch block panel
- Service panel
- Police compartment
- Fixed shelf

General Specifications

- Dimensions: 54" H x 44.5" W x 26" D (rounded to the nearest inch)
8" H riser brings total height to 62"
- Material: 5052-H32 aluminum, 0.125" thick
- Finishes: Natural, powder coat (standard, anti-graffiti, and custom colors), anodized
- Access: Front doors (2), back doors (2), all full size
- Latching System: 3-point, choice of Corbin or Best locks
- Handles: 3/4" round, stainless steel, with padlock feature
- Door Stops: 90° and 180° (±10°), each door, top
- Rack Assembly: Removable 19" EIA rack
- Ventilation: Thermostatically controlled 100 CFM fans (2)
Louvered air intake in doors, pleated filters
- Mounting: Base mounted
- Shipping Weight: 290 lbs without plug-ins or controller(s)

Options

- 3/4" x 16" anchor bolts for mounting (4)
- EIA rail mounted power strip for additional electrical outlets

To learn more about
McCain's Integrated Traffic
Solutions, please contact
info@mccain-inc.com or
call (760) 727-8100



2365 OAK RIDGE WAY // VISTA, CALIFORNIA 92081 // USA // WWW.MCCAIN-INC.COM

© 2009 McCain Inc. Updated 10/08/09. McCain reserves the right to change product specifications without notice.
For the most up-to-date information, please contact McCain.